

CORDLESS ROLLER INSTALLATION SHEET

Mounting the Brackets

Measure 2" – 3" in from the ends of the mounting profile and mark the bracket locations on the mounting surface. If more than two installation brackets are required for your shade, make additional marks to space the other bracket(s) evenly between the two end brackets.

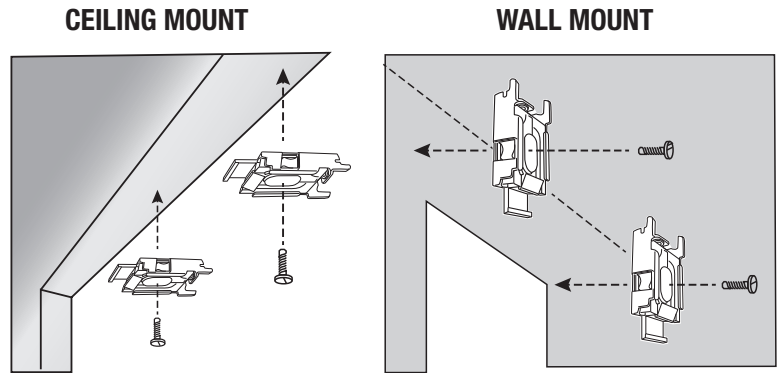
Adjust the bracket placement to gain clearance to avoid any obstructions, such as window cranks or handles.

Center an installation bracket on each mark.

Then, mark where to drill pilot holes for the mounting screws. With inside mounts, allow ½" clearance behind the brackets for installation.

IMPORTANT NOTE: When installing bracket, **DO NOT OVER TIGHTEN** screw. Over tightening screw will deform the metal housing and interfere with the operation of the spring loaded clear plastic clip.

TIP: The installation brackets must be mounted level to operate properly. If you are fastening the mounting brackets to drywall, be sure to use wall anchors and follow the instructions provided with the anchors.



Install the shade

Standard Installation

The groove on the top of the mounting profile fits into the hooks on installation brackets.

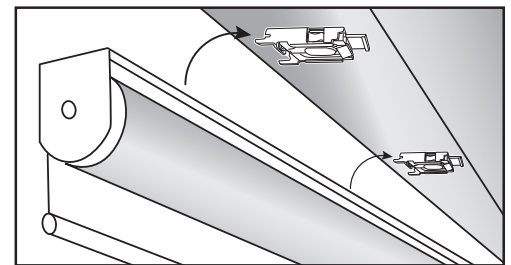
Install the shade into the installation brackets.

Hold the shade so the bottom bar fabric side faces you.

Hook the back groove of the mounting profile into the hooks of the installation brackets.

Rotate the mounting profile toward the clear tabs of the installation brackets.

Push the set bar until tabs lock into place. You will hear a loud click when each bracket is securely in place.



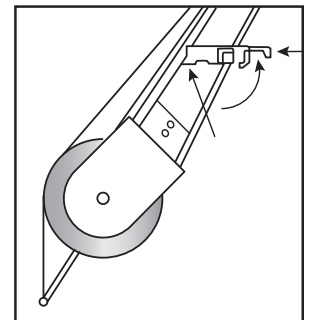
Operate the Shade

Lowering the shade

Pull down and release. The Shade stops where released.

Raising the Shade

Pull the shade down about an inch and release. The shade rises and stops.

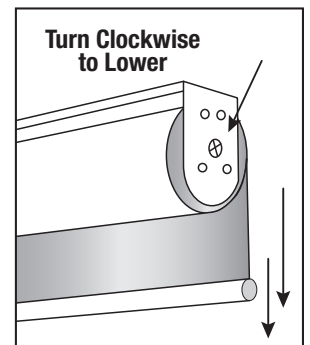


Shade Adjustment

Stop Height Adjustment

The shade is preset in the "up" position to have the bottom rail exposed only. If you wish to have the roller blind stop in the "up" position at a lower height, follow the next steps:

1. Completely roll up the shade.
2. Turn the dial at the right end of the shade clockwise
3. The shade will begin to lower.
4. Stop when it reaches the desired height. This will reset the "up" position.



WARNING

STRANGULATION HAZARD — Young children can be strangled by cords. Immediately remove this product if a cord longer than 22 cm or a loop exceeding 44 cm around becomes accessible.



Proudly Canadian
Owned & Operated

ROLLER SHADE WITH PVC VALANCE INSTALLATION INSTRUCTIONS

INSIDE/WALL TO WALL CEILING MOUNT SECTION

1. Install Roller Shade Brackets first as per attached instruction sheet for “Fitting the Brackets”

DO NOT INSTALL ROLLER SHADE YET.

2. PVC Valance has been notched on both ends on the roof of valance so as not to interfere with installed brackets. See Fig. 1.
3. Install clear corners on ends of valance only if required before you install Valance.
4. Put Valance in place and screw through the roof of the valance to the inside of frame/ceiling. Use appropriate amount of screws to hold valance in place. Pre-drilling holes on roof of valance will help. You must ensure that the inside front of valance does not interfere with brackets and or roller mechanism. Leave a distance of approximately ½” to 1” from end of roller bracket.
5. You are now ready to install Roller Shade. See section for “Fitting the Blind” on attached installation sheet.
6. Ensure Child Safety Chain/Cord Hold Down Device is installed as per instruction sheet.

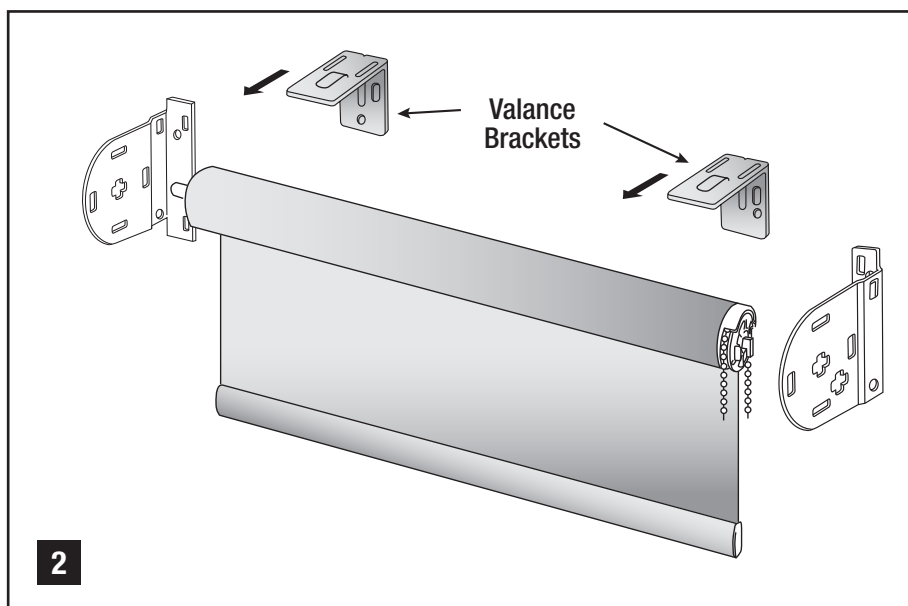
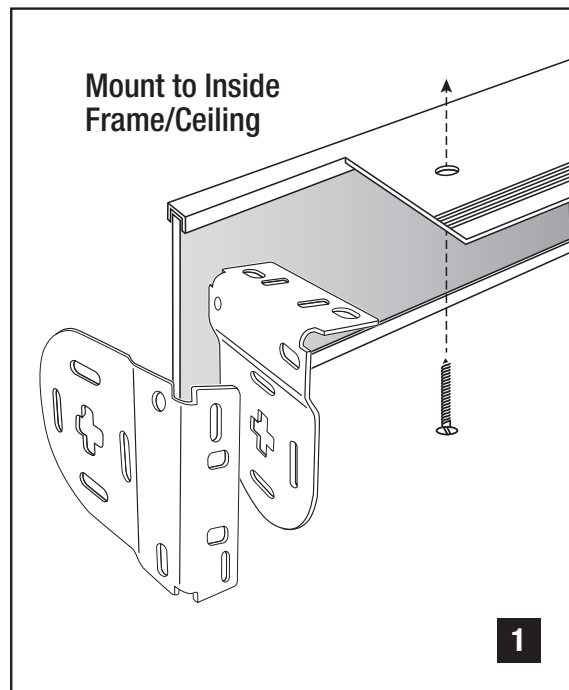
PLEASE NOTE: Screws provided are for Installing into wood only.

OUTSIDE/WALL MOUNT

1. Install Roller Shade Brackets as per attached instruction sheet for “Fitting the Brackets”.

DO NOT INSTALL ROLLER SHADE YET.

2. Install Valance brackets as per Fig. 2.
2. Brackets should be installed approximately 4” from each end and spaced out evenly according to size of valance.
Ensure valance brackets are mounted above installed roller brackets so as not to interfere when installing shade. Valance brackets should be installed approximately ½” to 1” above roller brackets. See Fig. 2.
3. Install Roller Shade.
4. **Assemble Valance before installing on installed shade. See Valance assembly on reverse side.**



ROLLER SHADE WITH PVC VALANCE INSTALLATION INSTRUCTIONS

5. Center the valance over the installed roller Shade.

Place the roof of completely assembled valance into the metal notched part on the top of valance bracket. Push roof of valance into the pressure fit notch of bracket. Roof of valance should be secured properly into the pressure fit notch lip.

Valance returns should be resting and against wall.
See Fig. 3.

VALANCE ASSEMBLY

The valance is to be mounted after the total installation.

- 1 Attach the corner pieces into the back slot of the main valance section. Insert the side returns of the valance into the corner pieces.
See Fig. A

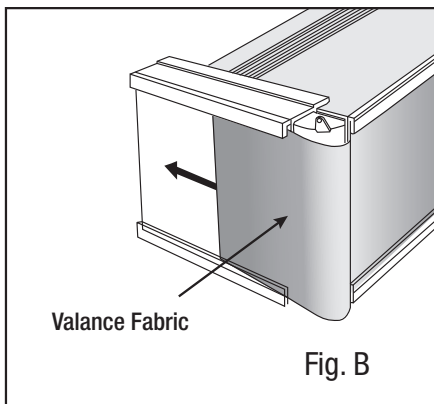


Fig. B

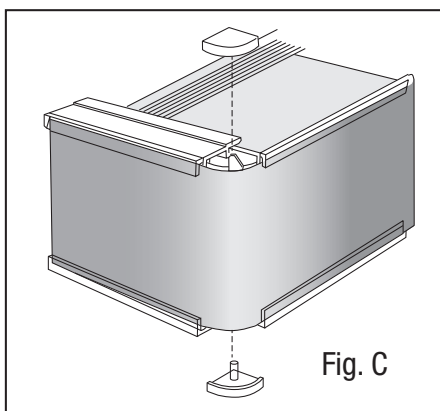


Fig. C

- 2 Slide the excess fabric from the end of main valance into the side return grooves. See Fig. B

- 3 Insert the plastic top and bottom and push to secure the entire valance.
See Fig. C

PLEASE NOTE: Screws provided are for installing into wood only.

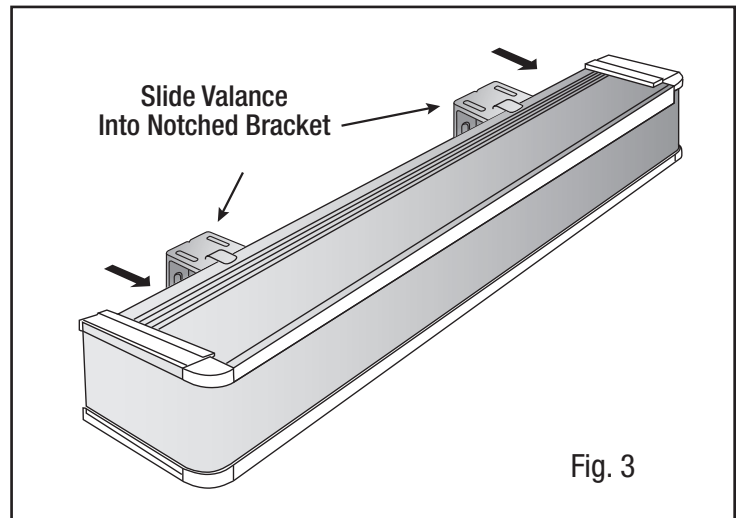


Fig. 3

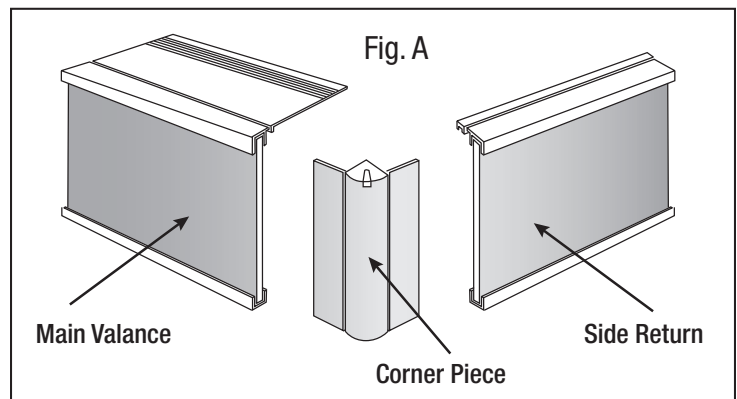


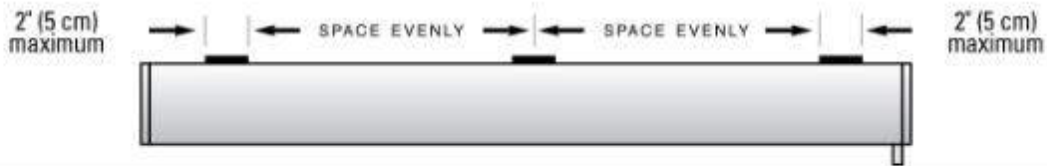
Fig. A

WARNING

STRANGULATION HAZARD — Young children can be strangled by cords. Immediately remove this product if a cord longer than 22 cm or a loop exceeding 44 cm around becomes accessible.

INSTALLATION INSTRUCTIONS DELUXE 3" & 4" CASSETTE

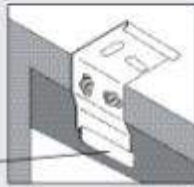
1 Mount the brackets to the wall or window frame, with the outside brackets no further than 2 inches (5 cm) from the ends of the headrail. On wide shades, space the additional bracket(s) at equal intervals.



DELUXE 2 1/2", 3" & 4"

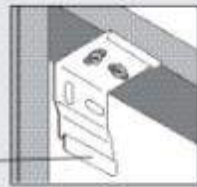
For wall or outside mounts, use the rear bracket holes.

Make sure the release tab is always mounted on the bottom.

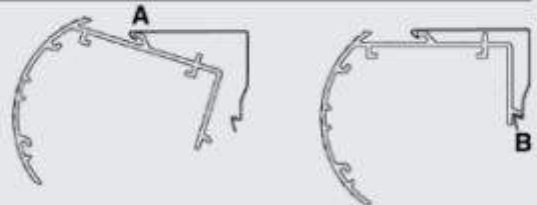


For inside or ceiling mounts, use the top bracket holes.

Make sure the release tab is always mounted on the bottom.



Mount the headrail. Position the headrail with the front panel (A) resting on the top lip of all brackets. Push the bottom front of the headrail firmly backwards and toward the window until the lip on the rear of the headrail engages the bracket and snaps into place, (B) as shown. **Screws provided are for installing into wood only.**



To remove a shade; Cassette 80: from the bottom rear of the headrail insert a flathead screwdriver in between the headrail and release tab. Gently twist the screwdriver and pry open the bracket to release the headrail. **Raceway:** Insert the screwdriver behind the headrail and engage the release tab.. press it upward to release the headrail. **Cassette 120:** from the top front of the headrail insert a flathead screwdriver in between the headrail and release tab. Gently twist the screwdriver and pry open the bracket to release the headrail. As you release the brackets, support the headrail to keep it from falling.

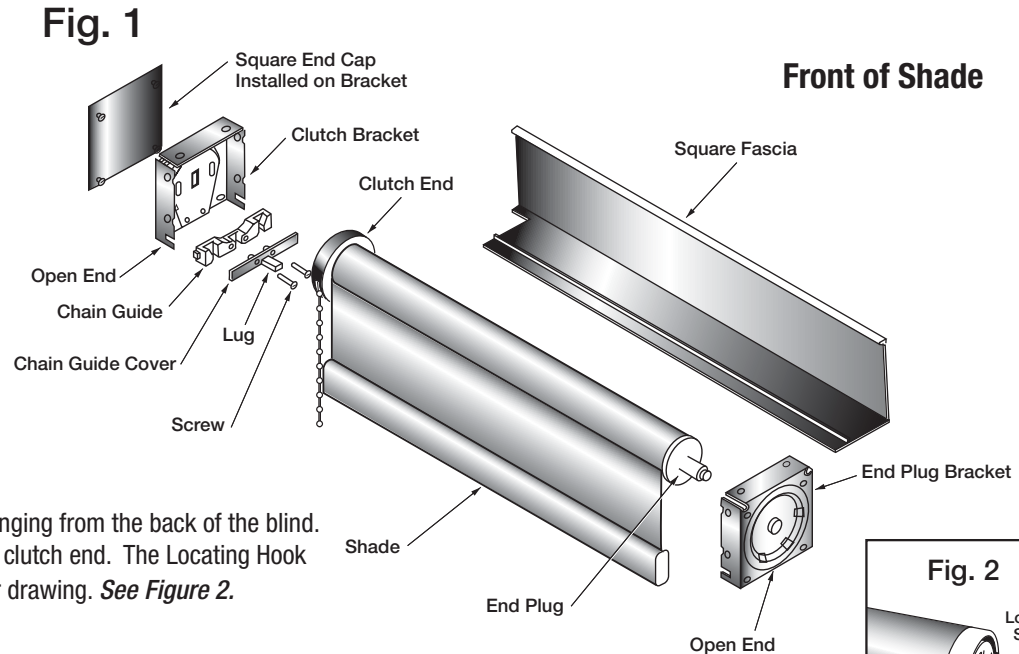
WARNING

STRANGULATION HAZARD — Young children can be strangled by cords. Immediately remove this product if a cord longer than 22 cm or a loop exceeding 44 cm around becomes accessible.

FASCIA INSTALLATION GUIDE

Install Brackets First

1. The Brackets are mounted to the window with at least 2 screws per bracket. The open end of the bracket should be facing downward. Ensure the location of clutch/idle end when installing. *See Schematic of all components in Figure 1. ILLUSTRATION SHOWS RIGHT CONTROL.*
2. Brackets should be level.

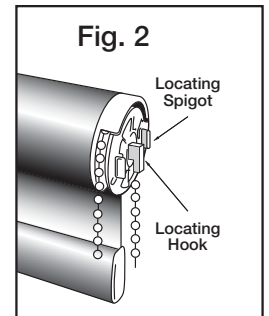


Install Shade

1. Do Not Unroll Shade.
2. Hold the shade with the fabric hanging from the back of the blind.
3. Install end plug first and then the clutch end. The Locating Hook Must be pointing downwards as per drawing. *See Figure 2.*

Chain Guide

1. Place chain guide in place.
2. Chain should be placed on either end of the chain guide. Place chain guide cover in place and install the 2 screws supplied. Lug should be facing downward. *See Figure 3.*
3. The only time one of the chains are placed in the middle are for side channels only.
4. Chain Dividers are not required for Motorized Shades.

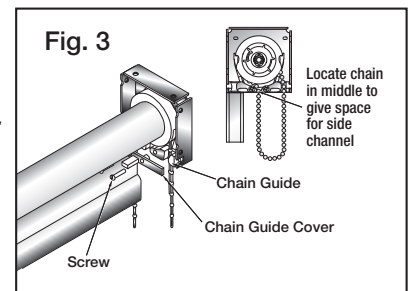


Install The Fascia

1. Make sure the lug of the chain guide cover locks into the interior bead edge of fascia.
2. Place fascia on a slight angle to the top of bracket. The lip of fascia will rest on top of the slots of brackets.
3. Press front of fascia until you hear the fascia snap into the left and right of fascia brackets. *See Figure 4.*

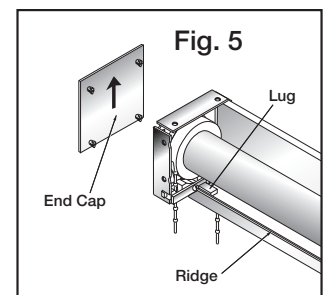
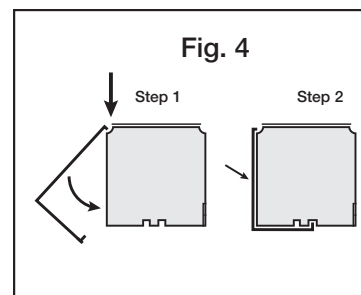
Square End Caps

1. These are to be used when shade is installed on the outside of frame. This will cover the brackets for a more finished look.
2. The caps have four pegs which are snapped into the 4 holes in the bracket.
3. Install the caps with the arrow pointing upward. You will find arrow on the inside of plastic end cap. *See figure 5.*



Child Safety

Shadex is in compliance with the Consumer Product Safety Commission guidelines that have been enacted to reduce the risk of strangulation from window covering cords. Although it is important to be in compliance, no window covering product is completely child safe. It is imperative that window covering retailers discuss this hazard with all purchasers and make every effort to keep children away from cords. Every blind with cord controls is sent with a CSA compliant approved child safety hold down attached. If the customer removes this, they do so at their own risk.



WARNING

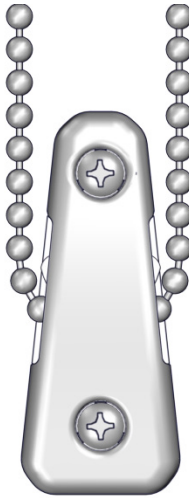
STRANGULATION HAZARD — Young children can be strangled by cords. Immediately remove this product if a cord longer than 22 cm or a loop exceeding 44 cm around becomes accessible.



Proudly Canadian
Owned & Operated

CHAIN TENSION DEVICE

Installation Instructions



RB91-1338-xxx110
 RB91-1338-xxx210
 RB91-1338-xxx310

CHAIN TENSION DEVICE Installation Instructions

GETTING STARTED

IMPORTANT: The included screws can be screwed directly into wood. When attaching to drywall or metal, use anchors that are designed for such substrates. See your hardware store or supplier for guidance on appropriate anchors for your substrate.

TOOLS NEEDED:

- Pencil
- Phillips head screwdriver
- Tape measure
- Power drill

PARTS INCLUDED:



2 LARGE SCREWS



2 SMALL SCREWS



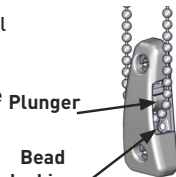
BRACKET
 Select option that suits installation

STEP 1: POSITION TENSION DEVICE

The tension device must be installed to make the shade fully operable.

PROCEDURE: To begin installation, first slide the tension device to the bottom of the bead chain.

While holding the tension device in one hand, pull the plunger away from the bead chain with the other hand. Lift the bead chain out of the bead locking groove and slide the tension device to the bottom of the chain loop.



Pull the tension device down until the bead chain is fully tensioned (plunger will be at the top) and then move the tension device up approximately 1/8" (3mm).

Mark the screw hole locations on the wall with a pencil.



STEP 2: MOUNT TENSION DEVICE

GENERAL NOTE: If mounting into wood, pre-drill screw holes and then install the tension device using the 2 large screws provided.

If not securing into wood, use appropriate anchors for the substrate and follow anchor manufacturer's instructions.

USING A BRACKET: Align the mounting bracket sight holes with the pencil marks and fix the bracket.

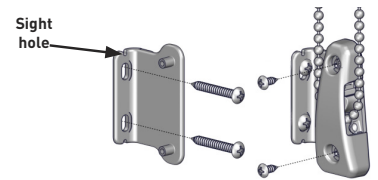
Press the tension device onto the mounting bracket posts. Carefully install the 2 small screws provided, through the tension device into the mounting bracket using a Phillips head screwdriver.

DO NOT OVER-TIGHTEN.

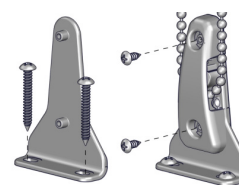
INSIDE MOUNT



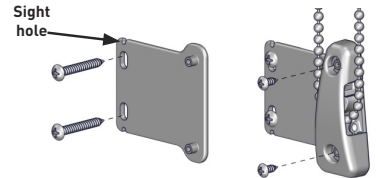
OUTSIDE MOUNT



FLOOR MOUNT



SIDE MOUNT



FLOOR MOUNT INSTRUCTIONS:

Securely fix the floor mount bracket to desired location.

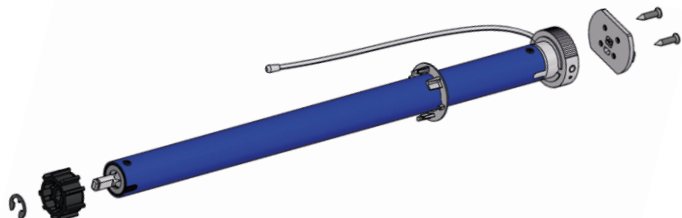
Assemble with chainhold & chain.

Adjust the length of the bead chain so that the plunger is 1/8" (3mm) below its top position. Adjust chain length by removing balls and reassemble with pliers or a chain connector (sold separate).

R1912 & R1918 LITHIUM MOTOR

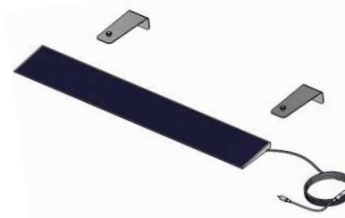
Operating Instructions

MOTOR ASSEMBLY



- Fit crown by sliding along the motor body until it meets the motor head.
- Fit the drive using the cir-clip to secure in position.
- Attach the motor plate with the screws supplied in either left hand or right hand orientation as required.

ATTACHING THE SOLAR PANEL



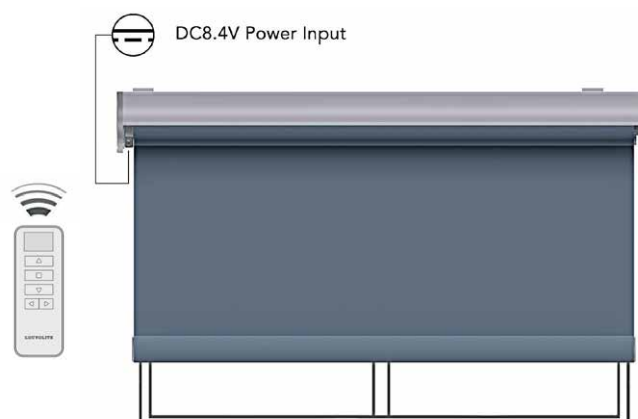
- Make sure the motor has enough charge to operate the blind.
- Attach the solar panel to the charge port on the motor using the 1.5m charge cable.
- Place/ fix the solar panel so that it is facing direct sunlight.

KEY FEATURES

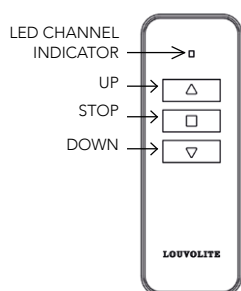
- DC power supply with energy saving patented design, 7.4V 2600mAh (R1912) 3000mAh (R1918) Lithium battery built-in.
- Setting limits by remote control. Up to 6 limits, including upper/lower limit and 4 intermediate positions.
- 433.92MHz radio control.
- Short/open circuit protection
- Patented helical gear design, noise level lowered to 30dB.

POWER SOURCE & CHARGING OPTIONS

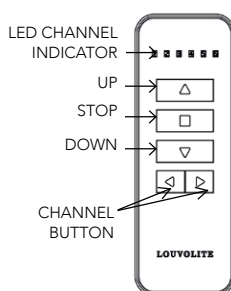
Built-in Li-ion battery supply. Recharged using an external charger. On a full charge can be used up to 6 months. Charging time is 6-8 hours.



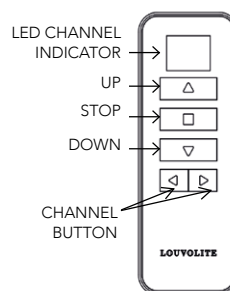
REMOTE LAYOUT



R1940 - 1CH
Push button

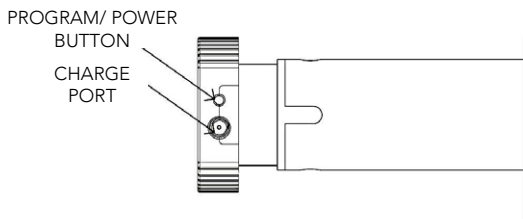


R1942 - 6CH - WH
Push button
Also available in black

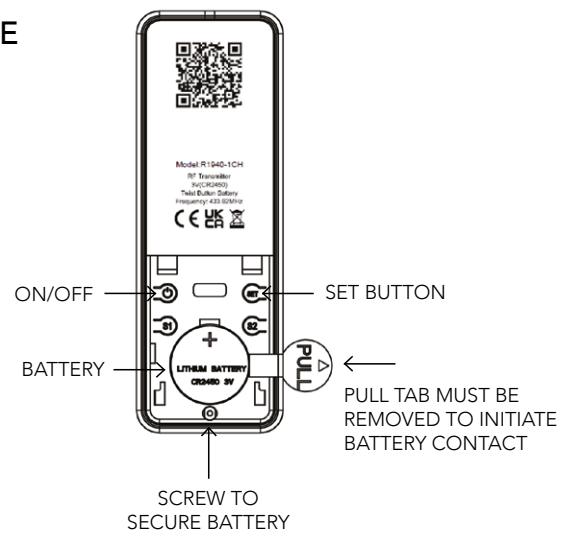


R1944 - 16CH
Push button

MOTOR HEAD



REMOTE



WARNING CONTAINS HAZARDOUS BATTERY KEEP OUT OF REACH OF CHILDREN

New or used batteries can cause severe or fatal injuries in 2 hours or less if swallowed or placed inside any part of the body. Seek medical attention immediately if you suspect the battery has been swallowed or placed inside any part of the body.

POWER ON/OFF

After switching off the power the motor will not be able to receive remote signals.

Power ON



1. Press the PROG button on the motor head for 1 second until the motor beeps once.

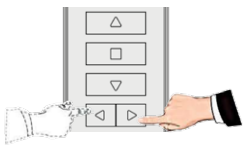
Power OFF



2. Press the PROG button on the motor head for 7 seconds until the motor beeps once. After a long beep the motor is now OFF

PAIRING REMOTE

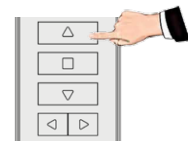
If there is no action in 10 seconds the motor will exit programming automatically.



1. Select a channel for pairing on your remote control



2. Press the PROG button until the motor beeps and oscillates once. The motor will now be in setting mode.



3. Press UP within 10 seconds. The motor will oscillate again, the motor and remote are now paired.

CHANGE DIRECTION

If there is a need polarity can be reversed.



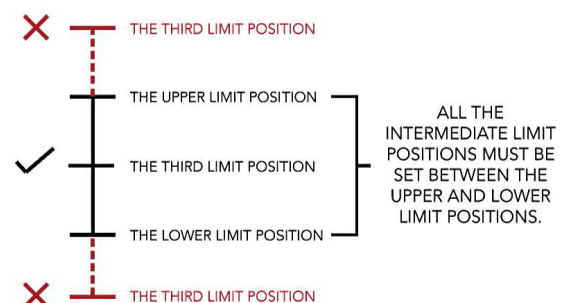
1. Press and hold STOP on the programmed remote for 5 seconds, the motor will oscillate once.



2. Press DOWN within 10 seconds and the motor will oscillate again, the motor direction is now reversed

LIMIT POSITION

- The first and second positions are Upper/ Lower limit positions. The other four are intermediate positions.
- After the Upper/ Lower limit positions are set, all the intermediate positions must be set between the Upper and Lower limit.
- The Upper and Lower limit position can only be fine-tuned once set. It can only be removed by deleting all the motor memory.
- Press the UP or DOWN button once and the motor will move to the next pre-set limit position. When the upper position has been reached the UP button will be unresponsive. When the lower position has been reached the down button will become unresponsive.
- For all the way up/down, press up/down pause for 1 second then press up/down again.

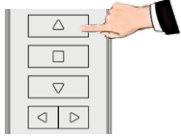


SETTING LOWER AND UPPER LIMIT

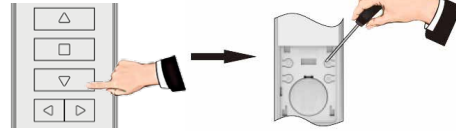
Once the limits are set the system will exit the command automatically. Both limits must be set to exit mode.



1. **Lower Limit** - Press SET on the programmed remote for 1 second



1. **Upper Limit** - Press UP to the desired upper limit position then press STOP.



2. Press DOWN to the desired lower limit position, then press STOP. Press SET again for 1 second the motor will oscillate once, the lower limit is now set.



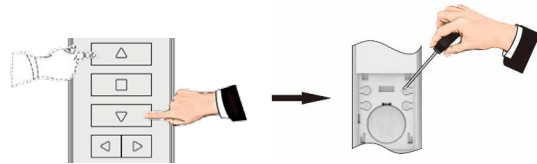
2. Press SET for 1 second and then press SET again to confirm. The motor oscillates once, the upper limit is now set.

FINE-TUNING LIMIT POSITIONS

Limits can be fine tuned individually. If there is no activity for 30 seconds the system will exit the command automatically.



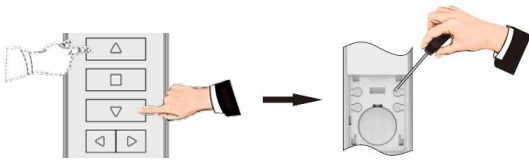
Let the motor run to the limit position and press SET for 1 second. The motor will Oscillate once, the motor is now in setting mode.



2. Use UP/DOWN to adjust to exact position and then press SET again for 1 second. The motor will oscillate once, the fine-tune setting is now complete.

SETTING INTERMEDIATE LIMITS

The motor will oscillate once and is now in setting mode. Use the UP/DOWN arrows to adjust to the exact position. Press SET again, the motor will oscillate once. The fine-tune setting is now complete.



1. Move the blind to the desired position and press SET for 1 second.



2. The motor will oscillate once and is now in setting mode. Press SET again, the motor will oscillate once. The intermediate limit position is now set.

DELETING LIMIT POSITIONS

The first limit cannot be deleted separately, to remove this limit all limits must be deleted.



1. Let the motor run to the limit position which needs to be deleted and press SET for 7 seconds.



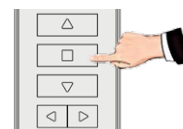
2. The motor will oscillate after 1 second and then go in setting mode. The motor will oscillate once again after 7 seconds, the pre-set limit position is now deleted.

JOG MODE

The default movement of the motor is continuous, it can be changed to jog movement or back to continuous movement for blind positioning or during fine tuning mode.

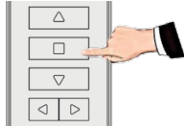


1. Press and hold STOP on the programmed remote for 5 seconds. The motor oscillates once.

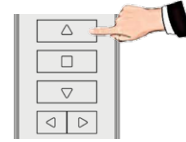


2. Press STOP again. The motor oscillates again, the movement mode is changed.

ADDING A REMOTE



1. Press and hold STOP on the programmed remote for 5 seconds. The motor oscillates once.



2. Press UP on the new remote. The motor oscillates again, the new remote is now added.

CHANNEL LOCKING & UNLOCKING



Channel Locking - Using the LEFT or RIGHT button, select the desired channel you wish to lock the remote on. Press STOP and RIGHT buttons together until the selected channel flashes or CC is displayed.



Channel Unlocking - Using the LEFT or RIGHT button, select the desired channel you wish to unlock on the remote. Press STOP and RIGHT buttons together for 2 seconds until all channels flash or CC is displayed. The remote is now unlocked.

DELETE SINGLE CHANNEL



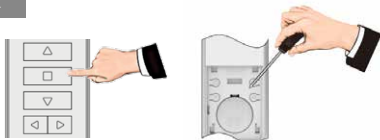
1. Select channel to delete. Press and hold STOP on the programmed remote for 5 seconds. The motor oscillates once.



2. Press SET for 1 second. The motor oscillates again, the selected channels memory is now deleted.

DELETE ALL MEMORY

METHOD ONE



1. Press and hold STOP on the programmed remote for 5 seconds. The motor oscillates once.

2. Press and hold SET for 7 seconds within 10 seconds of the motor oscillating. The motor will oscillate again for 1 second. The motor will oscillate twice for 7 seconds, all memory is now erased. Deleting all memory returns the motor back to factory settings.

METHOD TWO

For motors with both white and black antennae:

1. Press the button on the motor 2 times, the motor will beep for each time you press.
 2. Press a third time, the motor beeps once, keep the button held down until the motor beeps again.
 3. Press a fourth time, the motor beeps once, keep the button held down until the motor beeps again, the motor will jog twice.
- The motor memory is now deleted.

BLUETOOTH SETTING MODE



1. Press PROG 4 times, press for a fifth time and hold down until the motor oscillates twice. The motor is now in Bluetooth setting mode. Open "LL OneTouch" APP to add devices.

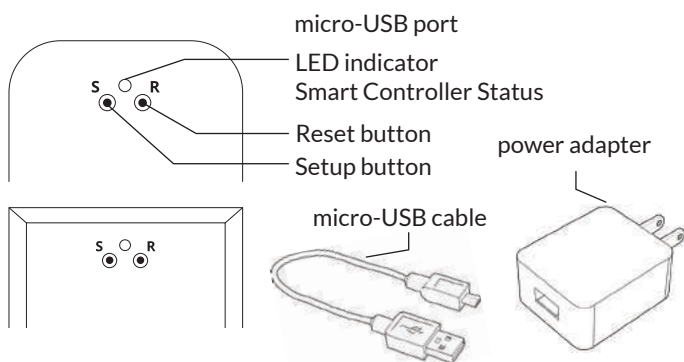
TROUBLE SHOOTING

	ISSUE	CAUSE	SOLUTION
1	Motor does not run or runs slowly	Over-load protection	Motor has been operated frequently in a short space of time or is being operated in hot conditions. Allow the motor to cool before next operation.
2	Motor does not run or runs slowly	Motor has reached its limit	Motor has reached a pre-set limit. Operate the blind in the opposite direction and check for movement.
3	Motor does not run or runs slowly	Out of battery	Recharge the battery.
4	Motor does not run or runs slowly	In power off mode	Turn power on to the motor.

SETUP CODE CODE DE CONFIGURATION

L2019

Getting to know your Smart Controller



Smart Controller Status:
Flashing blue - Hotspot available
Flashing green - Connecting to the WiFi network
Pulsing cyan/blue-green - Connected to the Internet

Getting Started

- 1 Download the Neo Smart Blinds app**

Download the app to your phone or tablet by searching **Neo Smart Blinds** on Google Play or the App Store.
Note: Do not install Neo Smart Blinds Blue
- 2 Plug in your Smart Controller in reach of your home WiFi**

Choose a place not too far from your home router or a place you know has good WiFi signal strength. You will be able to change its location after, if necessary.
- 3 Create an account and choose the setup code written on the cover**

After opening the app, tap on Create one to create a new account. Enter a valid email address and choose a password, select the region time zone from the place where the Smart Controller will be located. Choose the setup code written in the cover and tap on Register.
- 4 Follow the app step by step to add the Smart Controller**

Have in hand the home WiFi password. It will be necessary to connect the Smart Controller to the Internet.
Note: Some Android users won't be connected quickly to the hotspot. If it is the case, please wait about 10 seconds before returning to the app. During this time, your device may notify you that the hotspot does not have Internet access, and will prompt you whether you want to remain connected. You need to select the option that will allow you to keep connected before returning to the app.

System requirements

- A strong WiFi signal (3 bars or more) in the location where you will setup your Smart Controller.
- The Smart Controller only supports 2.4GHz WiFi (IEEE 802.11b/g/n), not 5GHz. WiFi security needs to be set to WPA-PSK or WPA2-PSK.
- A smartphone or tablet running Android 5.0 (Lollipop) or higher, or iOS 8 or higher is needed.

Troubleshooting

The home WiFi doesn't appear in the step 4

Try rescanning, if the problem persists, you will need to reposition the Smart Controller to a place with stronger WiFi signal. In this case, exit the process (tap on the menu, then tap Your Rooms), replace the Smart Controller and start over.

The Smart Controller LED in the bottom is not blinking blue

The process fails in the last step

Press the S button for 10 seconds, then press the R button once and start over. Pay special attention when typing the WiFi password.

Need more help?

Visit neosmartblinds.com/smartcontroller for detailed instructions about how to use the app and troubleshooting.

Integrations

Smart home devices

Visit neosmartblinds.com/smartcontroller-integrations for detailed information about connecting to Amazon Alexa, Google Home and other systems.

Control4

Please send an email to tech@neosmartblinds.com with your name, your email and your company's name. This information is necessary to always send to you any further driver update.

Legal Information

FCC

This equipment has been tested and found to comply with the limits for a Class B digital device, pursuant to Part 15 of the FCC Rules. These limits are designed to provide reasonable protection against harmful interference in a residential installation. This equipment generates uses and can radiate radio frequency energy and, if not installed and used in accordance with the instructions, may cause harmful interference to radio communications. However, there is no guarantee that interference will not occur in a particular installation. If this equipment does cause harmful interference to radio or television reception, which can be determined by turning the equipment off and on, the user is encouraged to try to correct the interference by one of the following measures:

- Reorient or relocate the receiving antenna.
- Increase the separation between the equipment and receiver.
- Connect the equipment into an outlet on a circuit different from that to which the receiver is connected.
- Consult the dealer or an experienced radio/TV technician for help

Contains transmitter module FCC ID: COFWNMNB11

To comply with FCC/IC RF exposure limits for general population/uncontrolled exposure, the antenna(s) used for this transmitter must be installed to provide a separation distance of at least 20 cm from all persons and must not be co-located or operating in conjunction with any other antenna or transmitter.

IC

This device complies with Industry Canada's licence-exempt RSSs. Operation is subject to the following two conditions:

- This device may not cause interference; and
- This device must accept any interference, including interference that may cause undesired operation of the device.

This device meets the exemption from the routine evaluation limits in section 2.5 of RSS102 and users can obtain Canadian information on RF exposure and compliance.

Contains transmitter module IC: 10293A-WMNB11

This End equipment should be installed and operated with a minimum distance of 20 centimeters between the radiator and your body.



GRIP FIT™

Fitting & Operating Instructions

CHECKING YOUR WINDOWS ARE COMPATIBLE WITH GRIP FIT™

Is your recess solid?

Because the bracket system pushes out with up to 60kg of force, your recess needs to be solid. We have tested a whole host of substrates including brick, tile, plaster board and wood which are all suitable. However if your recess will move when pushed for example if you have plasterboard with nothing behind it, then your window won't be suitable for Grip Fit™.

Is your recess deep enough?

The cassette is a total of 8cm deep, so your recess must be at least this deep to house the product.

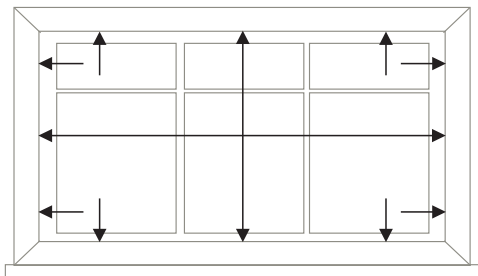
Are your walls parallel?

The Grip Fit™ roller blind grips onto the side of your recess. As a result of this your walls need to be parallel to each other and not taper forward or back where you are going to install the blind as this would stop the rubber compound from making contact with the wall fully.

HOW TO MEASURE FOR GRIP FIT™

It is important to use a steel tape measure as fabric tapes can stretch over time.

- Measure the depth of your recess. It needs to be at least 8cm deep to accommodate the Grip Fit™ cassette.
- Check the walls are solid by pushing on them with your hand. If the walls don't move or bend when you push, then they are suitable.
- Measure the width of your recess at the top of the window. It is important to measure to the nearest mm.
- Measure the drop of the window in three places and note down the longest drop.



FITTING GRIP FIT™

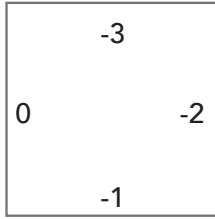
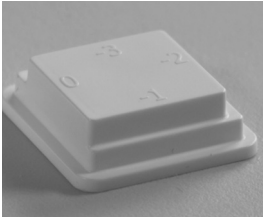
Once you have opened your blind, simply raise the cassette into your recess at an angle, level it out and fold the bracket levers down to lock in place. Now you can insert the blind into the cassette idle end first, Slide out the bracket covers and operate your blind.

The system works using a specially developed rubber compound and a clever bracket system to push out on your recess.

GRIP FIT™

Fitting Instructions

ADJUSTING THE CASSETTE FIT IF IT IS TOO TIGHT (Minus adjustment)



Minus adjustment block

LEFT SIDE OF THE CASSETTE

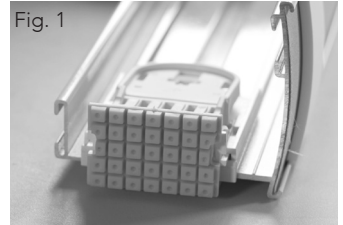
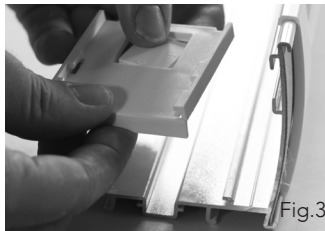
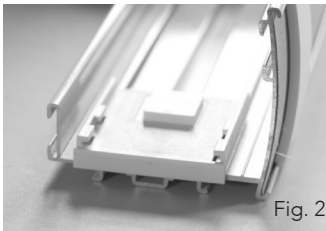


Fig. 1
Fold both lever brackets up on the cassette, remove the cassette from the window recess and lie flat. (Fig.1)



Slide the mounting plate out of the left side of the cassette (Fig.2) and remove the adjustment block (Fig.3) Rotate the adjustment block by up to -1, -2 or -3 **clockwise**.



Slide the adjustment block and mounting plate back into the cassette and refit the lever bracket. (Fig.4 & 5)

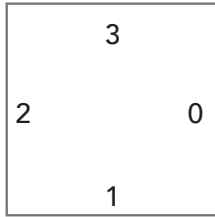
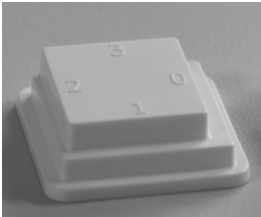


Fit the cassette back into the recess ensuring it is a snug fit and fold the lever brackets down to secure the blind. (Fig.6 & 7)

GRIP FIT™

Fitting Instructions

ADJUSTING THE CASSETTE FIT IF IT IS TOO LOOSE (Plus adjustment)



Plus adjustment block

RIGHT SIDE OF THE CASSETTE

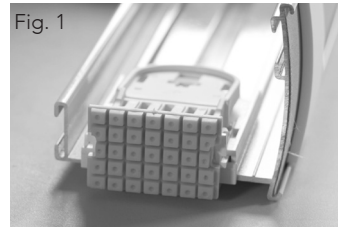


Fig. 1

Fold both lever brackets up on the cassette, remove the cassette from the window recess and lie flat. (Fig.1)

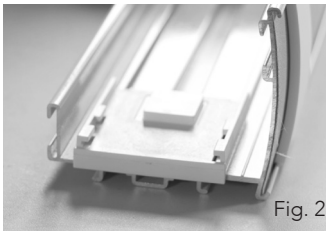


Fig. 2

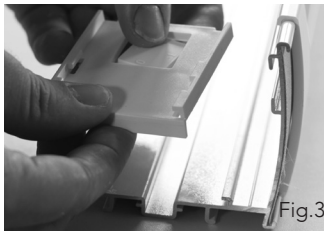


Fig.3

Slide the mounting plate out of the right side of the cassette (Fig.2) and remove the adjustment block (Fig.3). Rotate the adjustment block by up to +1, +2 or +3 **anti-clockwise**.



Fig. 4



Fig. 5

Slide the adjustment block and mounting plate back into the cassette and refit the lever bracket. (Fig.4 & 5)

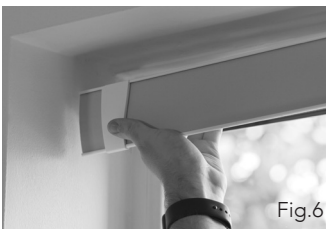


Fig.6



Fig.7

Fit the cassette back into the recess ensuring it is a snug fit and fold the lever brackets down to secure the blind. (Fig.6 & 7)